
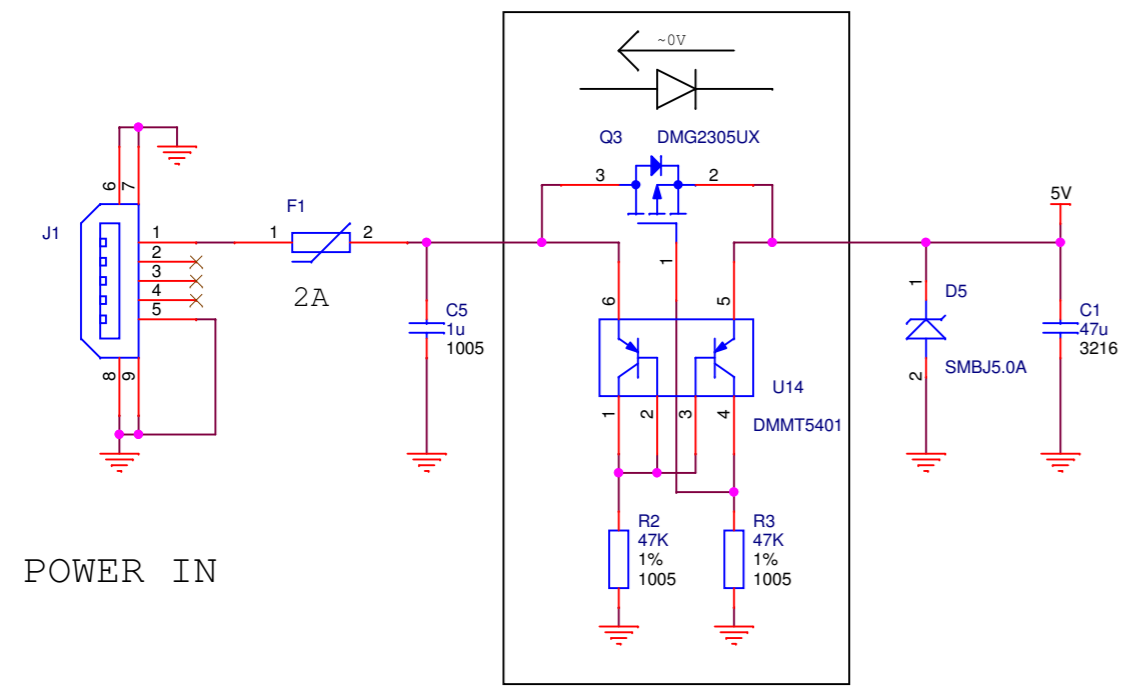
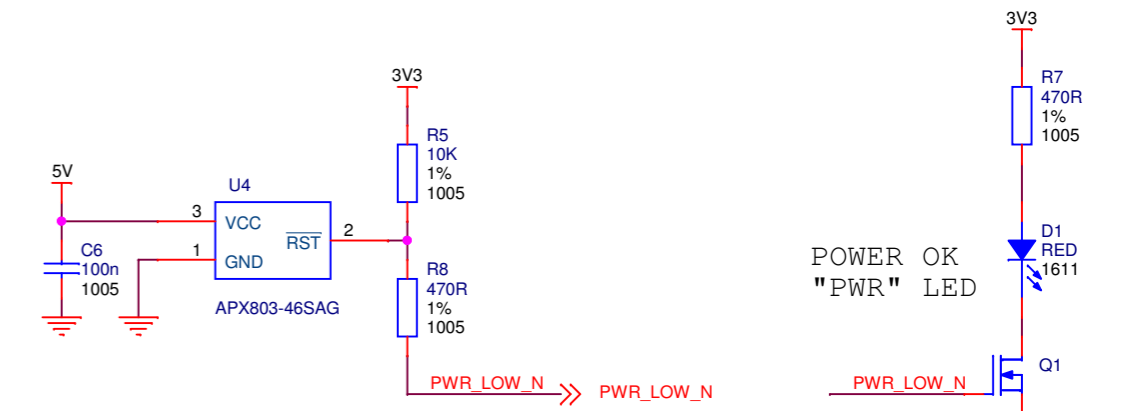
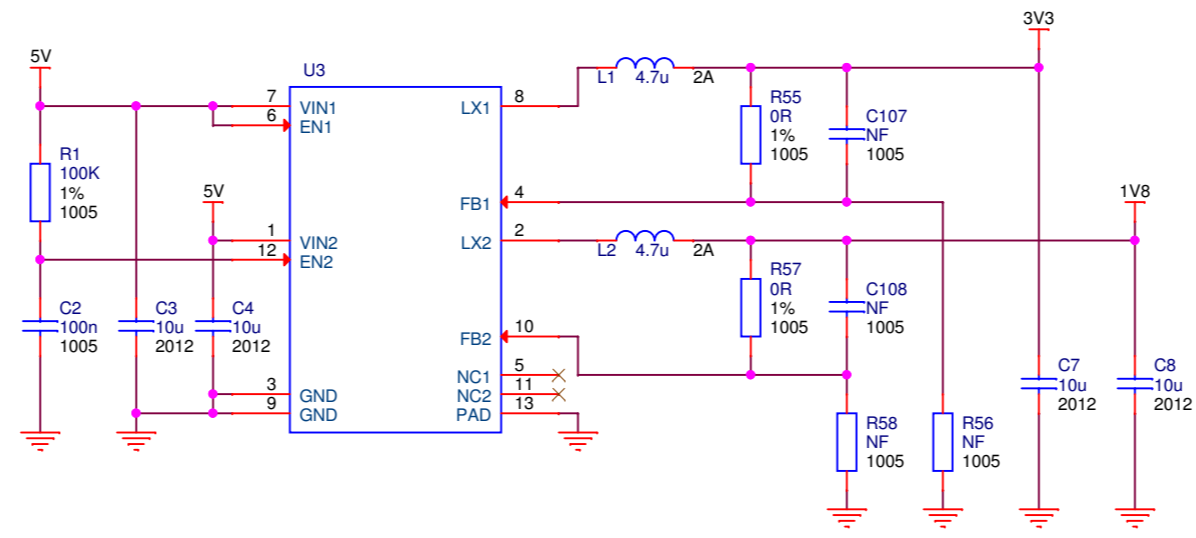


4x M2.5 MOUNTING HOLES
DRILLED TO 2.75+/- 0.05mm

		Raspberry Pi www.raspberrypi.org © Raspberry Pi 2014	
		TITLE RASPBERRY PI MODEL B+	
DATE 07/03/2014	REF RPI-BPLUS-V1_2		
DRAWN James Adams	APVD James Adams		

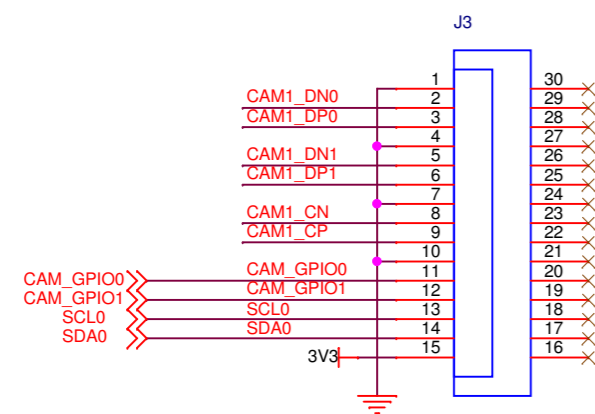


POWER IN

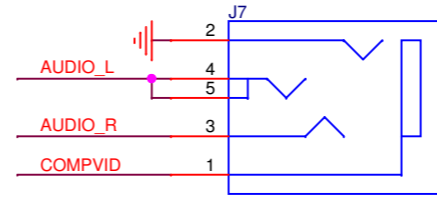
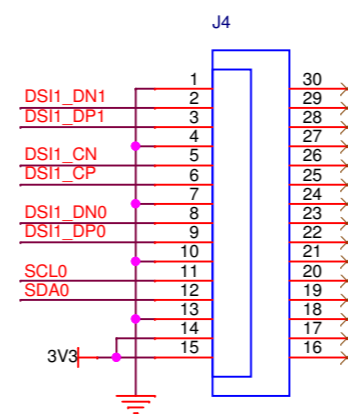


POWER OK "PWR" LED

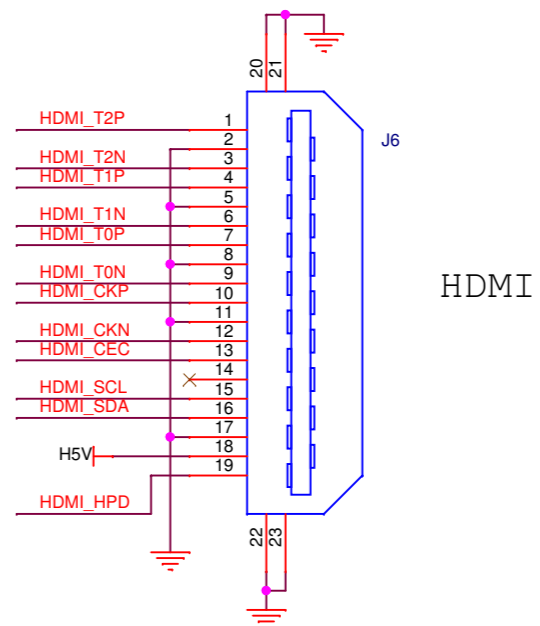
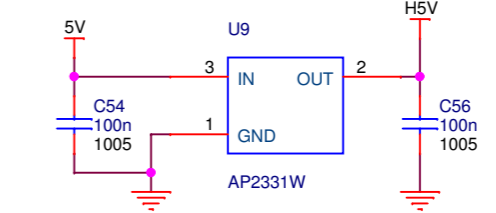
CAMERA



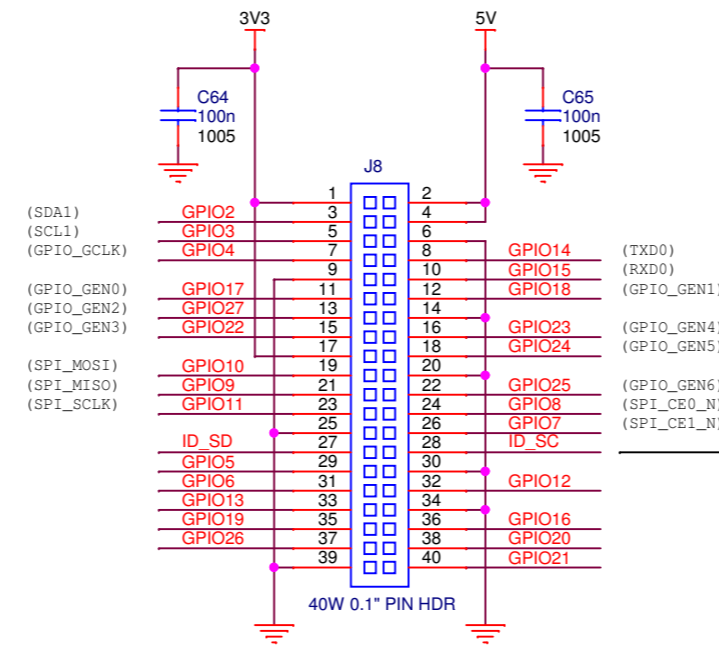
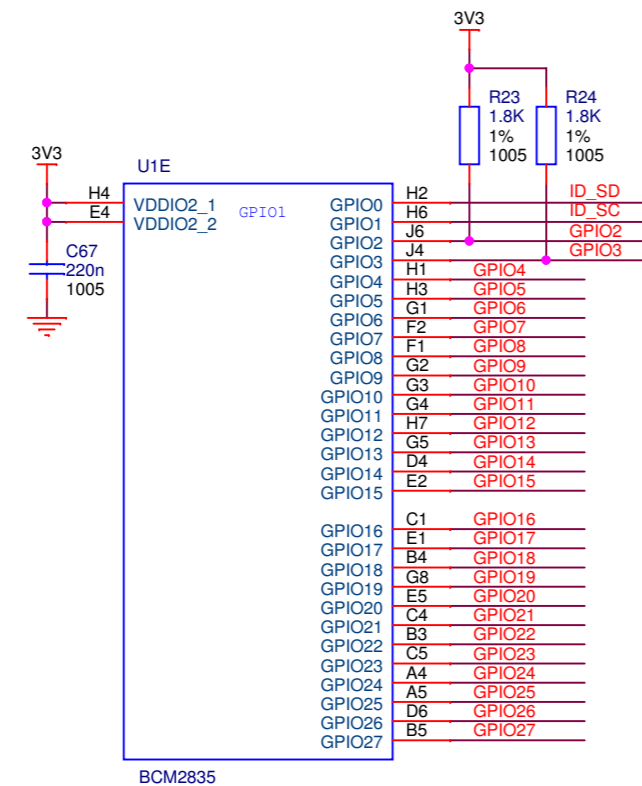
DISPLAY



4-POLE A/V JACK



HDMI



GPIO EXPANSION

ID_SD and ID_SC PINS:
 These pins are reserved for ID EEPROM.
 At boot time this I2C interface will be interrogated to look for an EEPROM that identifies the attached board and allows automatic setup of the GPIOs (and optionally, Linux drivers).
DO NOT USE these pins for anything other than attaching an I2C ID EEPROM. Leave unconnected if ID EEPROM not required.